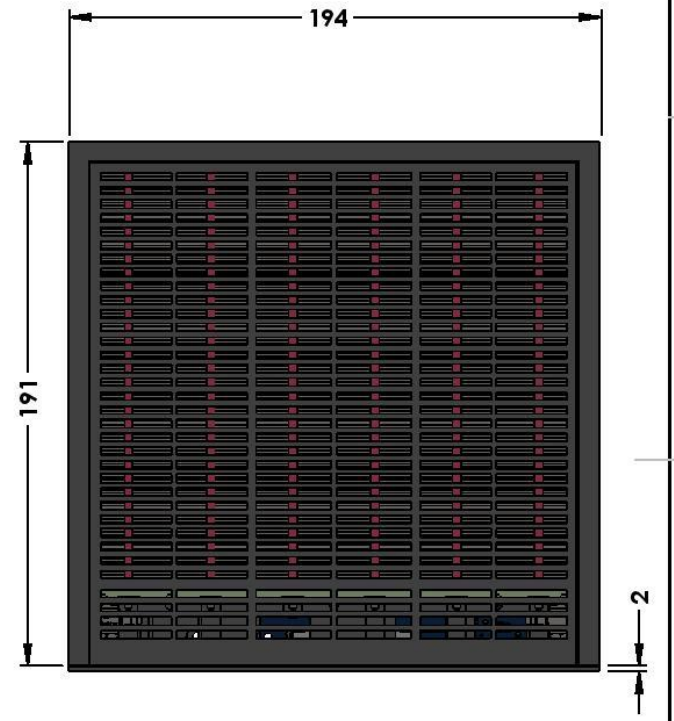
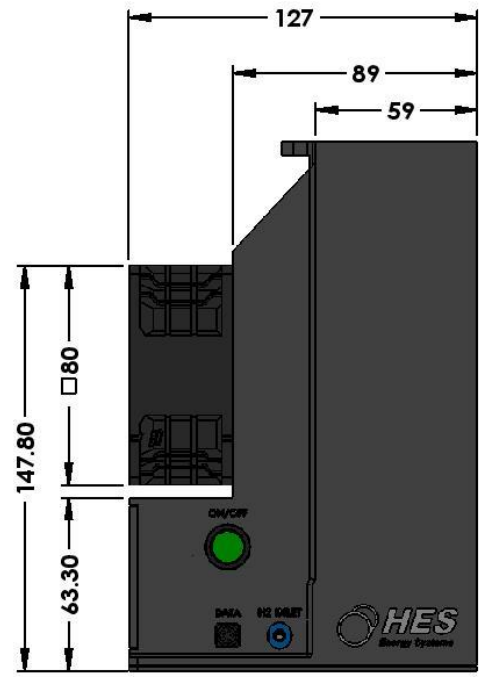
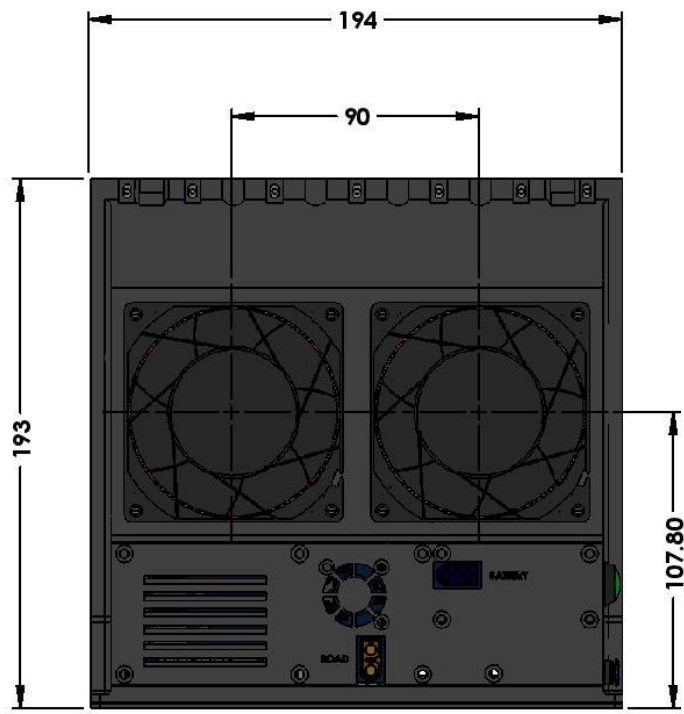


REV.	DESCRIPTION	DATE	APPROVED
------	-------------	------	----------



Note: 1. General Tolerance Applied:  $\pm 0.1\text{mm}$   
 Unless Otherwise Specified.  
 2. Remove All Sharp Edges, C0.3mm.

ALL DIMENSIONS ARE IN MILLIMETERS UNLESS OTHERWISE SPECIFIED.  
 ALL INFORMATION CONTAINED ON THIS DRAWING IS CONFIDENTIAL AND CANNOT BE USED OR DIVULGED TO A THIRD PARTY WITHOUT PERMISSION.

	NAME	SIGNATURE	
DRAWN	Lau CS		27/11/18
CHECKED	Lau CS		27/11/18
APPROVED	Lau CS		27/11/18
Q.A			

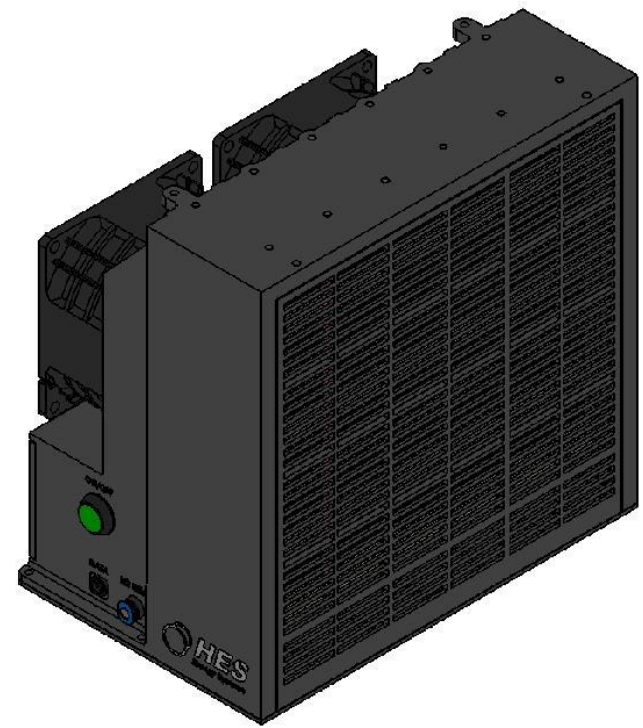
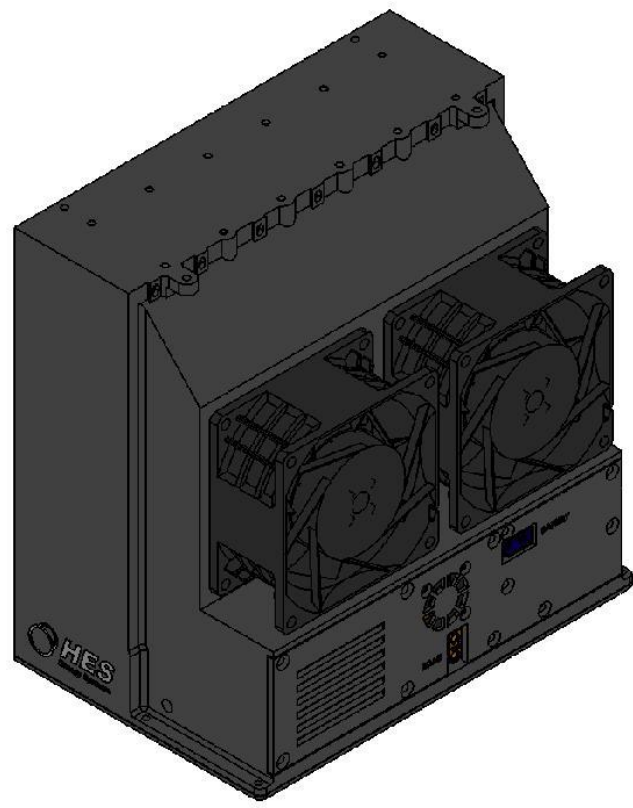
PROJECTION:	MATERIAL: -
	QUANTITY: - Each
SCALE: 1:5	WEIGHT: - GRAMS

**HES** Energy Systems  
 HES Energy Systems  
 67 Ayer Rajah Crescent #03-23/24,  
 Singapore 139950

# A-1000W (65)

A3

REV.	DESCRIPTION	DATE	APPROVED
------	-------------	------	----------



Note: 1. General Tolerance Applied:  $\pm 0.1\text{mm}$   
 Unless Otherwise Specified.  
 2. Remove All Sharp Edges, C0.3mm.

ALL DIMENSIONS ARE IN MILLIMETERS UNLESS OTHERWISE SPECIFIED.  
 ALL INFORMATION CONTAINED ON THIS DRAWING IS CONFIDENTIAL AND CANNOT BE USED OR DIVULGED TO A THIRD PARTY WITHOUT PERMISSION.

	NAME	SIGNATURE	
DRAWN	Lau CS		27/11/18
CHECKED	Lau CS		27/11/18
APPROVED	Lau CS		27/11/18
Q.A			

PROJECTION:

MATERIAL: -

QUANTITY: - Each

SCALE: 1:5 WEIGHT: - GRAMS



HES Energy Systems  
 67 Ayer Rajah Crescent #03-23/24,  
 Singapore 139950

# A-1000W (65)

A3